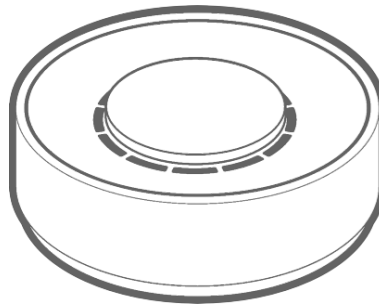




User Manual

Flic Twist



Contents

About the Product	1
Getting started	2
Connecting your Twist	3
Bluetooth connection	4
Mounting your Twist	5
Cleaning the adhesive	6
Changing the battery	7
Factory reset	8
Problems	9
Compliance	9
Handling the battery	10
Safety usage guidelines	11
Warranty	12
Notice	13

About the Product

Flic Twist it's simple and intuitive, placeable anywhere, and wildly configurable.

Twist introduces two new triggers; Twist and Push&Twist. These triggers are easy to use and understand. Unlock advanced modes by pushing and rotating at the same time.



Main Features

1. Smart Dimming

Smart Dimming adapts intelligently to vivid color scenes or different volume settings. It adjusts each parameter individually, maintaining the relative differences between devices.

2. Advanced Dimming

Advanced Dimming is a flexible dimming journey with custom triggers along the way. When rotating you can adjust brightness, color, or saturation simultaneously. Sequence the lights and even add events.

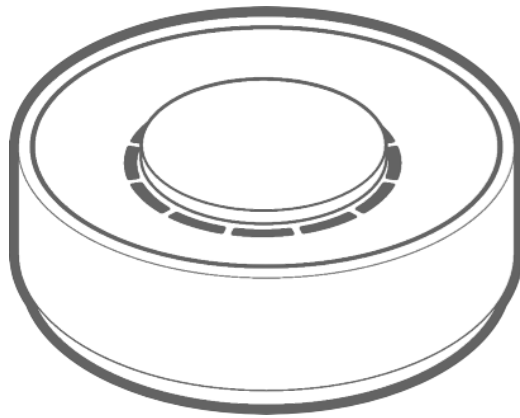
3. Scene Blender

Flic Twist's innovative Scene Blender mode allows you to preset up to 4 different light scenes.

4. Selector

The Selector allows you to select up to 12 custom things to Activate or Adjust. Each position is referred to as a clock position in the app, from 1 to 12 o'clock.

Getting started

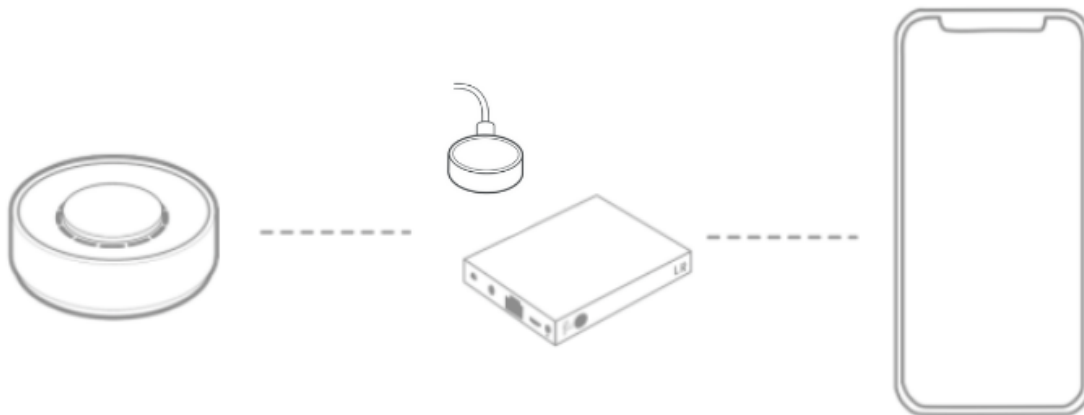


To get started make sure that you have the following:

1. An iOS or Android device with at least Bluetooth 4.0+
2. Active internet connection
3. The Flic app, available on the App Store or Google Play
4. A Flic Twist (“Twist”)

For up-to-date requirements and further information visit <https://flic.io/start>

Connecting your Twist



1. Plug in the Flic Hub LR or Flic Hub Mini.
2. Make sure Bluetooth is activated on your phone.
3. Open the Flic App, create an account, and log in.
4. Connect the desired Flic Hub, in which you will add your Twist.
5. Follow the setup guide in the app to get your Twist paired.
6. Now, you are ready to set up your first actions.

Bluetooth Connection

When setting the Twist up make sure to connect to your device through the Flic App.

- iOS users: Make sure you have both Bluetooth activated on your device and WiFi connected.
- Android users: Make sure you have Bluetooth activated on your device.
Disclaimer: Do not try to pair with your Flic Twist through the Bluetooth settings 'Available devices' page.

Once you've successfully configured your Flic Twist using the Flic app on your smartphone, make sure your Flic Twist stays within the range of your Flic Hub to ensure a stable connection.

Mounting your Twist

There are three ways to mount your Flic Twist:

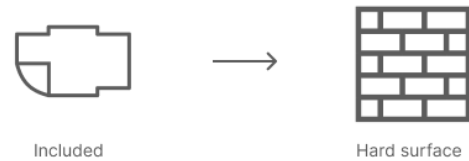
1. Magnets:

Attach your Twist to any metal surface.



2. Adhesive*:

Each Twist comes with a reusable adhesive sticker, pre-attached to the back.



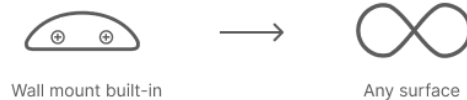
Simply peel off the first protective layer and stick your adhesive onto your Twist as shown below. Then, remove the second protective layer and stick your Twist onto any clean surface.

If you want to change the position of your Twist, twist the button to the right in order to exert horizontal force which makes it easier to remove the adhesive from the surface.

*Note: We do not recommend sticking it to wallpaper as it might damage the surface attached.

3. Wall mount:

First, remove the hatch located on the back side of the Twist, on the upper part, using a small flathead screwdriver.



Then, with the same tool, remove the wall mount from the opposite side. Insert screws into the two holes, and screw it to a wall.

Cleaning the adhesive

If the adhesive starts to lose its stickiness then you can clean it.

1. Remove the adhesive from the Twist.
2. Carefully wash the adhesive with rinsing water.
3. Give it a gentle rub and repeat the wash.
4. Leave it to air-dry and it will return to full stickiness.
5. Stick the adhesive on the Twist again.

Flic Twist is not waterproof. Make sure you don't put the Twist underwater.

Read more under safety usage guidelines.

Changing the battery

Flic Twist comes with two replaceable AAA batteries that last up to 2 years.

To assemble or change the battery you will need to follow these steps:

1. Open the battery hatch with a flat-headed tool such as a flathead screwdriver.
2. Remove the old batteries.
3. Place new AAA batteries in the battery slot.
4. Close the battery hatch.

Note: Please dispose of the battery according to your local recycling regulations.

Factory reset

If, for any reason, you must perform a factory reset, perform the following steps:

1. Remove the battery, see the page "Changing the battery".
2. Insert the battery.
3. Within 5 seconds push and hold the button for 10 seconds.

By pushing the button, all your settings will be lost and the Twist will return to default.

Problems

If you have any issues setting up or using the Flic products that are not answered here, please read FAQ's at <https://start.flic.io/faq>

Alternatively, you can contact us via support@flic.io

Compliance

Shortcut Lab's declaration of conformity is available at <https://flic.io/doc>

For full compliance, list visit <https://flic.io/compliance>

Flic Twist is certified as FCC, IC, CE, AUS, R-NZ and WEEE, Prop 65 RoHS, REACH compliant.

Handling the battery

The Twist has been designed with replaceable AAA batteries that last up to 2 years. Twist also supports rechargeable AAA batteries in order to reduce the need for disposable batteries.

The AAA Battery is composed of alkaline.

For this reason, improper handling of the battery could lead to distortion, leakage, overheating, explosion, or fire, causing personal injury.

Please observe the following instructions to prevent accidents. Never swallow charge, heat, or expose to open flames, moisture, or liquid. Never attempt to disassemble, reverse the polarity, or short circuit. Keep away from children and pets.

When disposing of used batteries please remove the battery in advance. If not possible then dispose of the entire product in a waste bin for electronics as per the WEEE directive. Battery disposal may be regulated by national or local regulations, as such please follow applicable guidelines.

Safety usage guidelines

The Twist is not a toy. It contains small parts and accessories that present a choking hazard as such it is not suitable for children or pets.

General

- Do not attempt to service the product.
- Do not use the product in temperatures below -10°C or above $+40^{\circ}\text{C}$.
- Clean with a damp cloth only. Do not submerge and do not use chemical or abrasive cleaning products.
- Do not expose it to rinsing water, submerge or attempt to use it underwater as this will result in irreversible damage that is outside the scope of the Shortcut Labs AB warranty.
- Do not apply solvents, chemicals, or abrasive cleaning products as this will damage the adhesive.

Flic specific

- Battery life will be shortened with heavy usage and/or use in extreme conditions.
- Flic Twist is not waterproof. Do not submerge or attempt to use it underwater as this will result in irreversible damage that is outside the scope of the Shortcut Labs AB warranty.

Warranty

Shortcut Labs AB warrants that your Flic hardware product (“the product”) will be free from defects in materials and workmanship for 24 months from the date of delivery to the original retail purchaser (“the warranty period”).

If a defect in the product arises within the warranty period, Shortcut Labs will, at its sole option and subject to applicable laws:

- (1) repair or replace it with a new or refurbished product or component, or
- (2) refund the original purchase price upon return of the defective product.

This warranty does not apply to products you purchase from unauthorized resellers, where the instructions for use and activation of the product are not complied with, or where the product is damaged as a result of abuse, accident, modification, moisture, or other causes beyond our reasonable control.

Note: Battery usage is regarded as normal wear and tear and is therefore not covered by the 24-month warranty.

For detailed warranty information visit:

<https://flic.io/warranty-and-return-policy>

Notice

Federal Communications Commission Interference Statement

This equipment has been tested and found to comply with the limits for a Class B digital device, under part 15 of the FCC Rules. These limits are designed to provide reasonable protection against harmful interference in a residential installation. This equipment generates, uses, and can radiate radio frequency energy and, if not installed and used by the instructions, may cause harmful interference to radio communications. However, there is no guarantee that interference will not occur in a particular installation. If this equipment does cause harmful interference to radio or television reception, which can be determined by turning the equipment off and on, the user is encouraged to try to correct the interference by one or more of the following measures:

- Reorient or relocate the receiving antenna.
- Increase the separation between the equipment and receiver.
- Connect the equipment to an outlet on a circuit different from that to which the receiver is connected.
- Consult the dealer or an experienced radio/ TV technician for help.

Caution

Any changes or modifications not expressly approved by the grantee of this device could void the user's authority to operate the equipment. This device complies with Part 15 of the FCC Rules. Operation is subject to the following two conditions:

- (1) This device may not cause harmful interference, and
- (2) This device must accept any interference received, including interference that may cause undesired operation.

Radio Frequency (RF) Exposure Warning

This equipment must be installed and operated by provided instructions and the antenna(s) used for this transmitter must be installed to provide a separation distance of at least 20 cm from all persons and must not be co-located or operating in conjunction with any other antenna or transmitter. End-users and installers must be provided with antenna installation instructions and transmitter operating conditions for satisfying RF exposure compliance.

Canada, Industry Canada (IC) Notices

This device complies with Industry Canada's license-exempt RSSs. Operation is subject to the following two conditions:

- (1) This device may not cause interference; and
- (2) this device must accept any interference, including interference that may cause undesired operation of the device.

Canada, avis d'Industry Canada (IC)

Le présent appareil est conforme aux CNR d'Industrie Canada applicables aux appareils radio exempts de licence. L'exploitation est autorisée aux deux conditions suivantes:

- (1) l'appareil ne doit pas produire de brouillage, et
- (2) l'utilisateur de l'appareil doit accepter tout brouillage radioélectrique subi, même si le brouillage est susceptible d'en compromettre le fonctionnement.

Radio Frequency (RF) Exposure Information

The radiated output power of the Wireless Device is below the Industry Canada (IC) radio frequency exposure limits. The Wireless Device should be used in such a manner that the potential for human contact during regular operation is minimized.

This device has also been evaluated and shown compliant with the IC RF Exposure limits under mobile exposure conditions (antennas are greater than 20 cm from a person's body).

Informations concernant l'exposition aux fréquences radio (RF)

La puissance de sortie émise par l'appareil de sans fil est inférieure à la limite d'exposition aux fréquences radio d'Industrie Canada (IC). Utilisez l'appareil de sans fil de façon à minimiser les contacts humains lors du fonctionnement normal.

Ce périphérique a également été évalué et démontré conforme aux limites d'exposition aux RF d'IC dans des conditions d'exposition à des appareils mobiles (antennes supérieures à 20 cm à partir du corps d'une personne).



Join us! <https://community.flic.io/>

Share your ideas with other Flic users and keep up to date with the latest news and happenings from the Flic team.

Shortcut Labs AB, Drottning Kristinas Väg 41, 11428, Stockholm,
Sweden